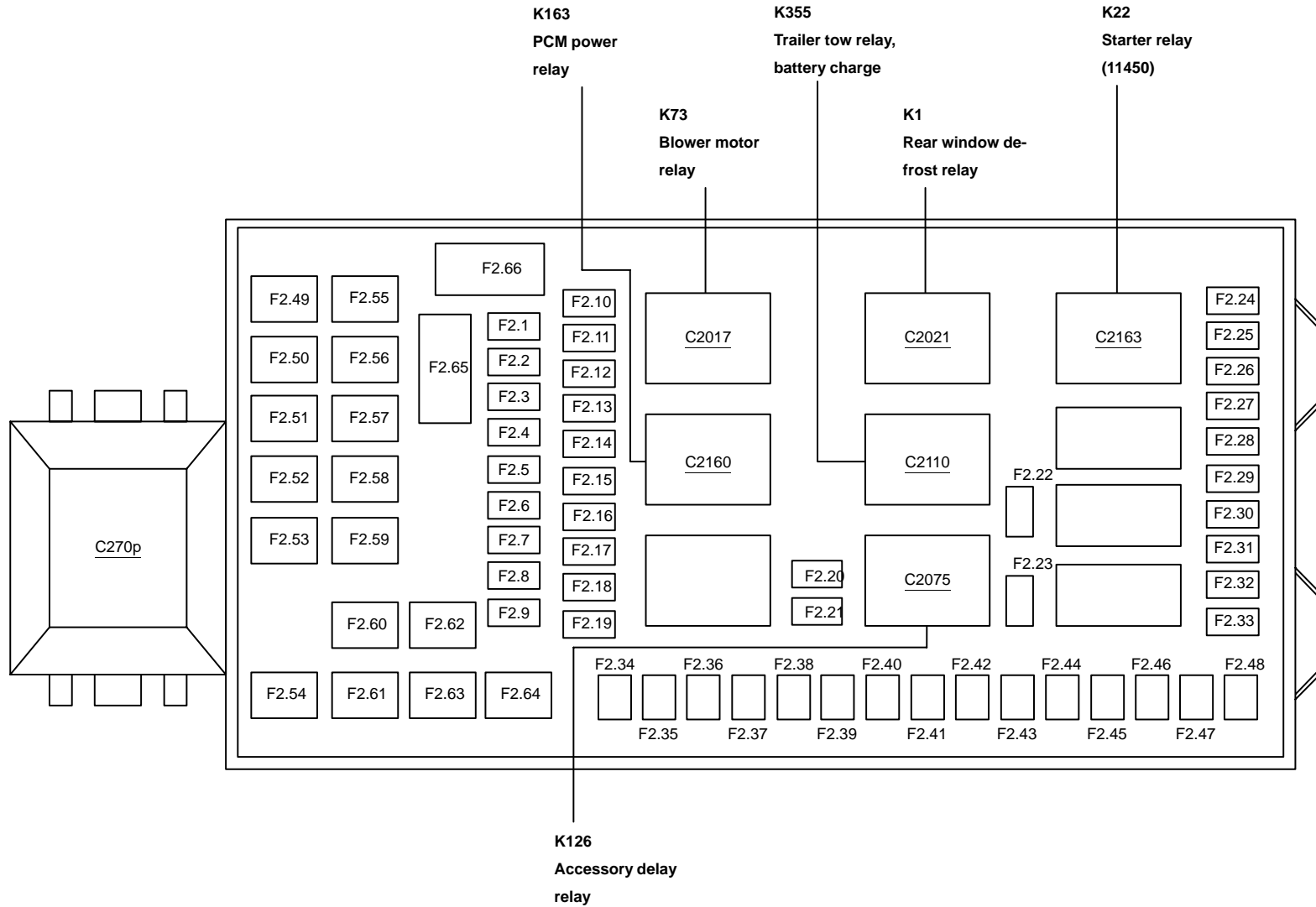


11-1 Fuse and Relay Information

Central Junction Box (CJB) (14A068)



Fuse	Amps	Circuits protected
F2.1	15A	adjustable pedal
F2.2	20A	Power point, console (19N236)
F2.3	20A	Power point, C pillar (19N236)
F2.4	20A	Power point, instrument panel (19N236)
F2.5	20A	Power point, rear (19G247)
F2.6	20A	Turn signal relay, Trailer tow
F2.7	30A	Headlamps, High Beam/Flash-to-Pass
F2.8	–	not used
F2.9	20A	Power mirrors
F2.10	10A	A/C clutch relay
F2.11	20A	Radio (18806)
F2.12	20A	Cigar lighter, front (15055), Data Link Connector (DLC) (14489)
F2.13	10A	Seat adjust switch, driver side front (14A701), Exterior rear view mirror switch (17B676)
F2.14	15A	Rear Integrated Control Panel (RICP) (19980)
F2.15	10A	Driver seat module (14C718)
F2.16	15A	DVD player, Rear Integrated Control Panel (RICP) (19980), Rear Seat Entertainment (RSE) module
F2.17	15A	Exterior lamps, Trailer tow relay, parking lamp
F2.18	20A	Brake pedal position switch (13480), Indicator flasher relay (13350)
F2.19	5A	Vehicle Security Module (VSM)
F2.20	25A	not used
F2.21	25A	Liftgate wiper
F2.22	20A	Fuel injectors, Powertrain Control Module (PCM) (12A650)
F2.23	20A	Heated oxygen sensors (HO2S), A/C clutch relay, Vapor management valve, Automatic transmission module (7G422), EVAP canister vent control solenoid
F2.24	15A	Air Suspension
F2.25	10A	ABS control module (2C219)
F2.26	10A	Air bags

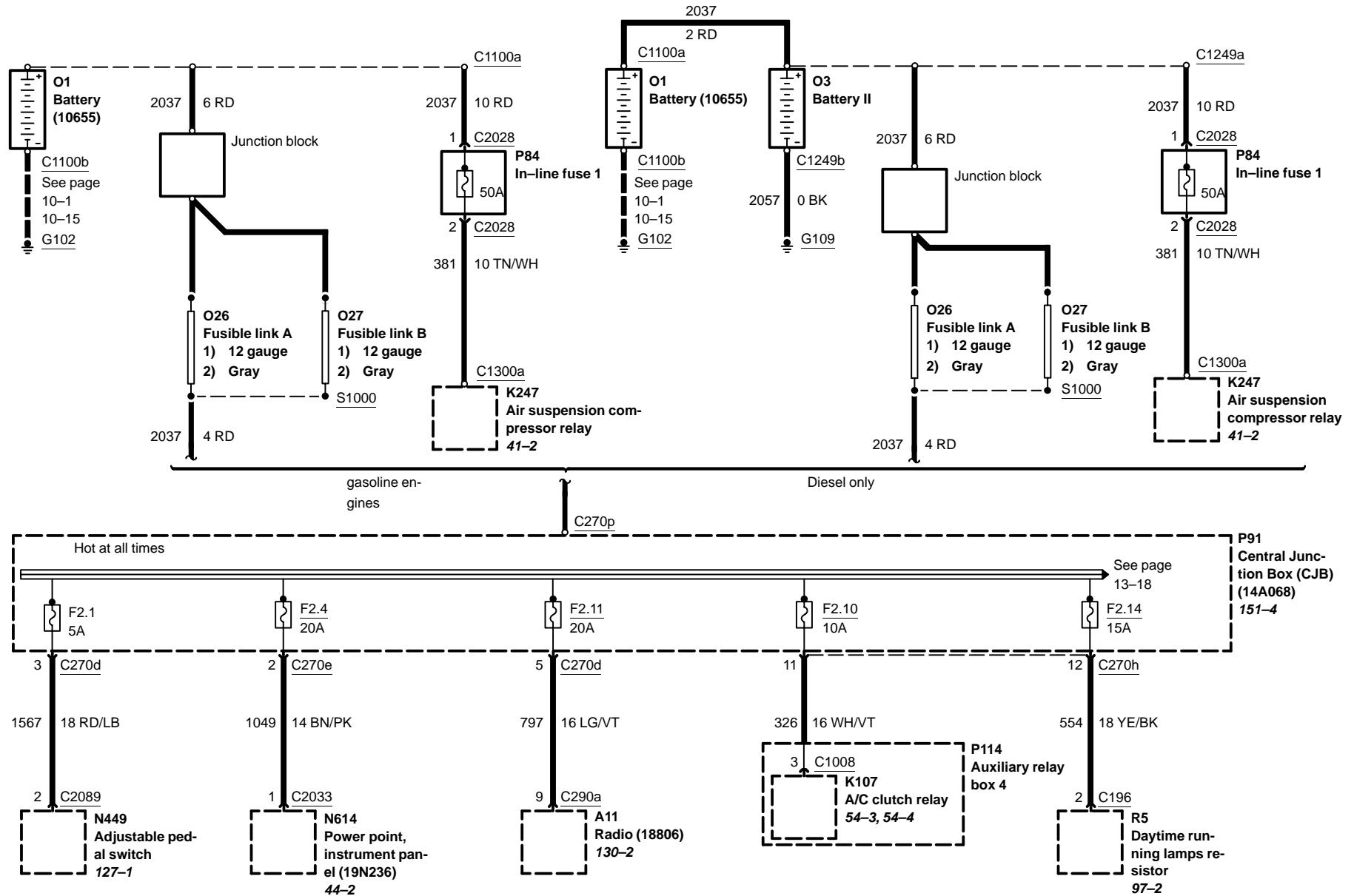
Fuse	Amps	Circuits protected
F2.27	15A	Auxiliary Climate Control, Heated seats, Vacuum pump motor, speed control, Overhead console, Brake shift interlock (3Z719), Electronic Shift On the Fly (ESOF) solenoid, Digital Transmission Range (DTR) sensor (7F293)
F2.28	10A	Climate Control System
F2.29	10A	Customer access 1
F2.30	15A	Headlamps, High Beam/Flash-to-Pass
F2.31	15A	Shift Lock
F2.32	5A	Radio (18806)
F2.33	15A	Wiper/washer
F2.34	10A	Brake pedal position switch (13480), Passive anti-theft transceiver module (15607), Electronic Automatic Temperature Control (EATC) module (19980), Four-wheel drive control module, Brake pressure switch (2B264)
F2.35	10A	Instrument cluster, Interior lamps
F2.36	10A	Powertrain Control Module (PCM) (12A650)
F2.37	15A	Horn
F2.38	20A	Trailer tow
F2.39	–	not used
F2.40	20A	Fuel pump
F2.41	10A	Instrument cluster, Interior lamps
F2.42	15A	Accessory delay, Radio (18806), Power Door Locks
F2.43	10A	fog lamps
F2.44	15A	Anti-theft
F2.45	10A	Passive anti-theft transceiver, Overdrive cancel switch (7G550), Passive anti-theft transceiver module (15607), Accelerator pedal position sensor, Four-wheel drive control module, Instrument cluster – Excursion Clutch pedal position switch, Auxiliary Powertrain Control Module (APCM), Accelerator pedal position sensor, Overdrive cancel switch (7G550), Four-wheel drive control module, Instrument cluster – Pickup
F2.46	10A	Headlamp, left (13008), Low beam
F2.47	10A	Headlamp, right (13008), Low beam
F2.48	10A	Rear wiper motor assembly

11-3 Fuse and Relay Information

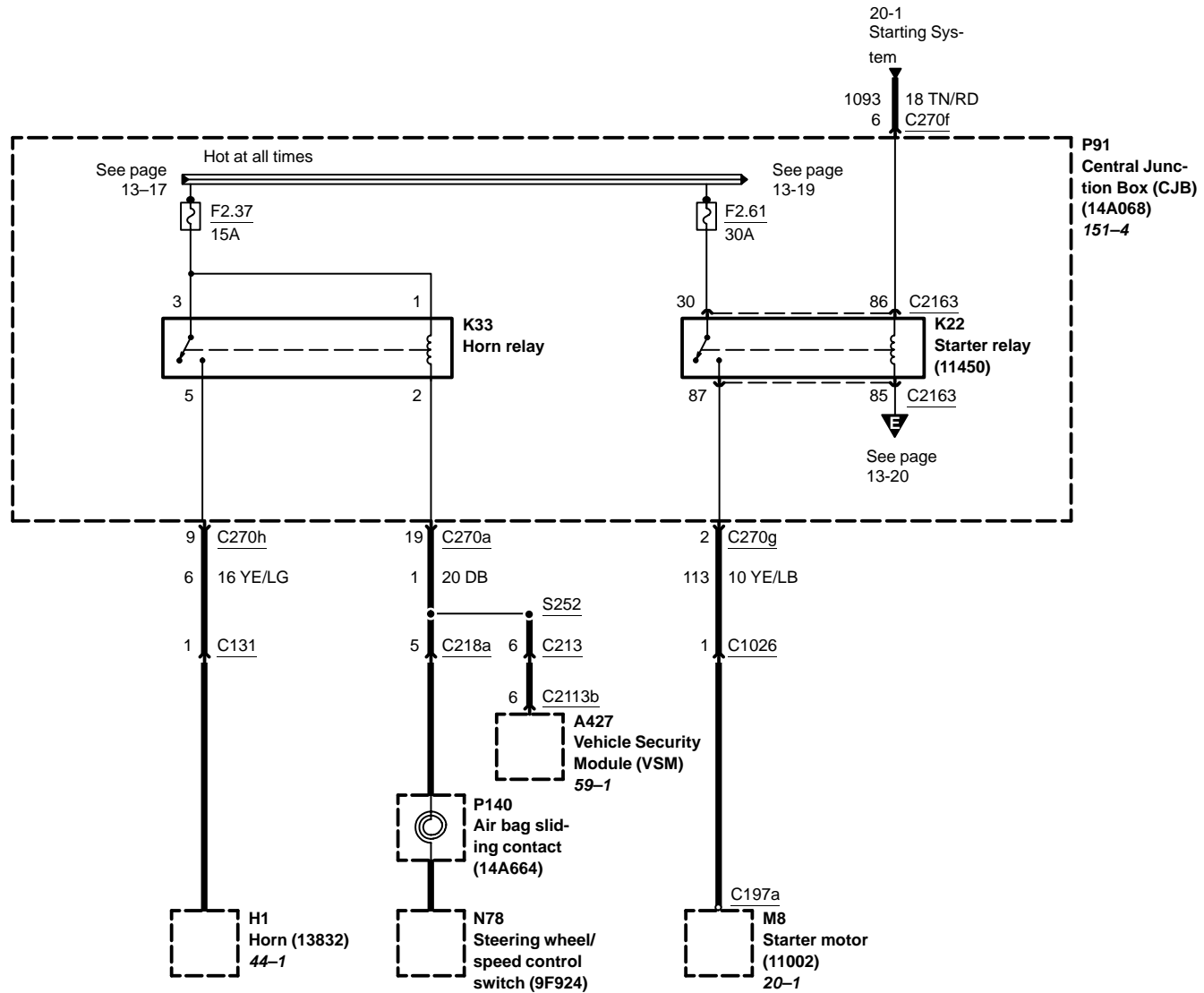
Fuse	Amps	Circuits protected
F2.49	30A	Electric trailer brakes
F2.50	30A	Vehicle Security Module (VSM), Power Door Locks
F2.51	50A	Ignition switch (11572), Run/Start power circuit
F2.52	40A	Rear window defrost
F2.53	30A	Injector Driver Module (IDM)
F2.54	30A	Windshield wiper motor (17508)
F2.55	40A	Heater blower motor (19805), Auxiliary A/C relay
F2.56	40A	Auxiliary Climate Control
F2.57	30A	Console Panel
F2.58	50A	Ignition switch (11572), Run power circuit
F2.59	30A	Transfer case low to high relay, Transfer case high to low relay
F2.60	30A	Driver seat module (14C718) (with memory), Seat adjust switch, driver side front (14A701) (without memory)
F2.61	30A	Starter motor (11002)
F2.62	30A	Seat adjust switch, passenger side front
F2.63	40A	Trailer tow
F2.64	30A	Ignition switch (11572), Run/Start power circuit
F2.65	30A c.b.	Accessory delay, Power windows
F2.66	60A	ABS control module (2C219)

13-17 Power Distribution

Pickup, F2.1, F2.4, F2.10, F2.11, F2.14

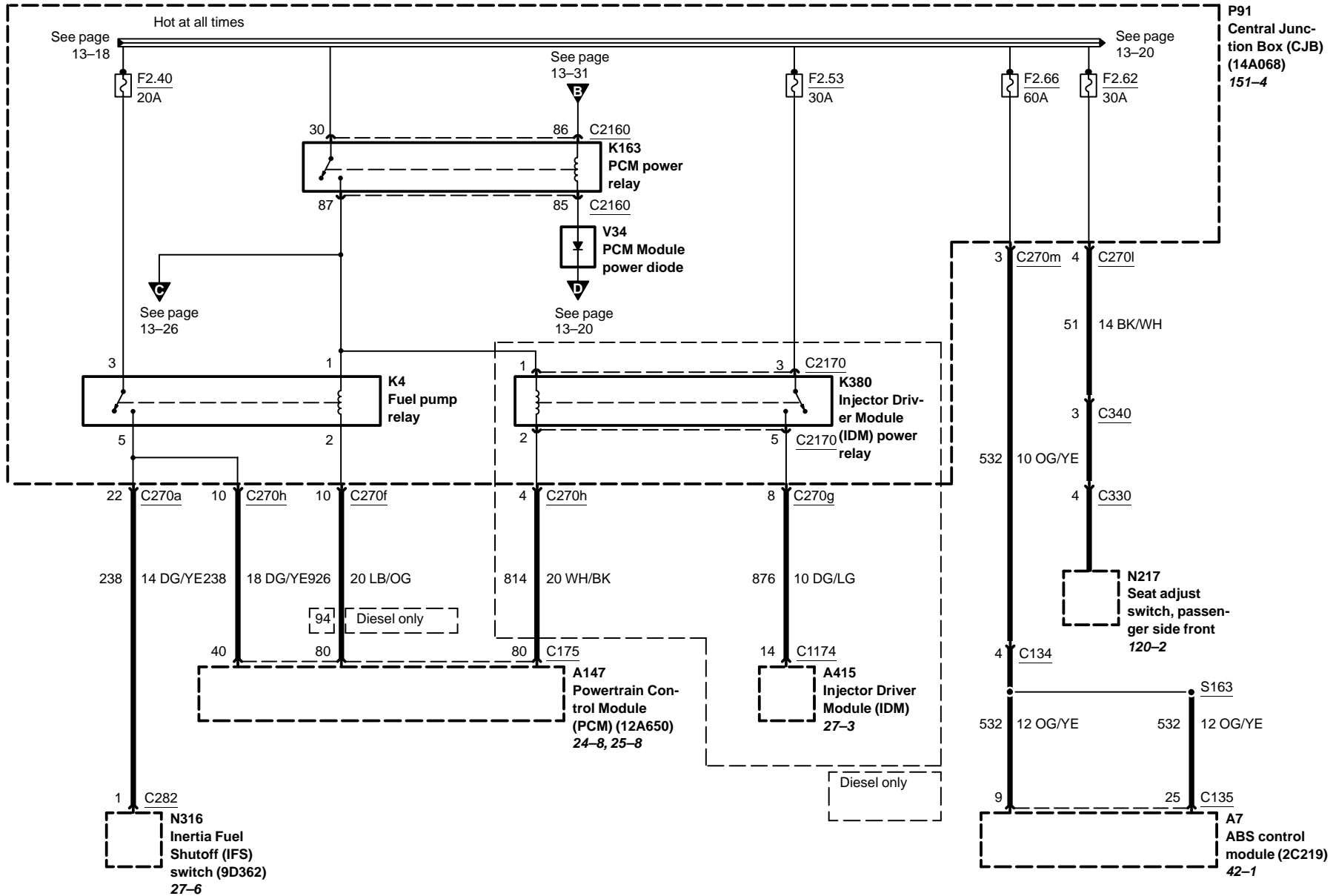


Pickup, F2.37, F2.61

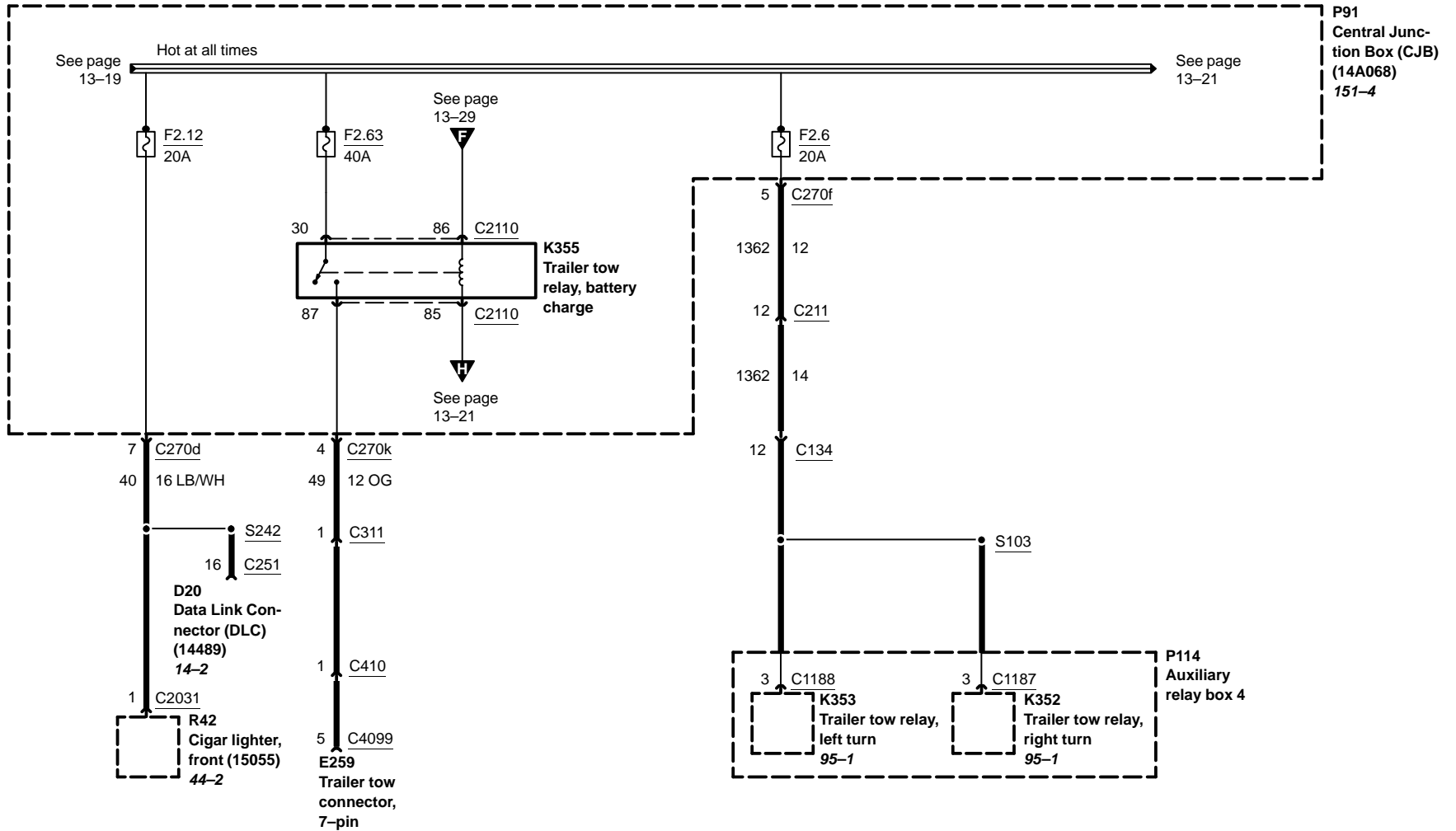


13-19 Power Distribution

Pickup, F2.40, F2.53, F2.65, F2.66

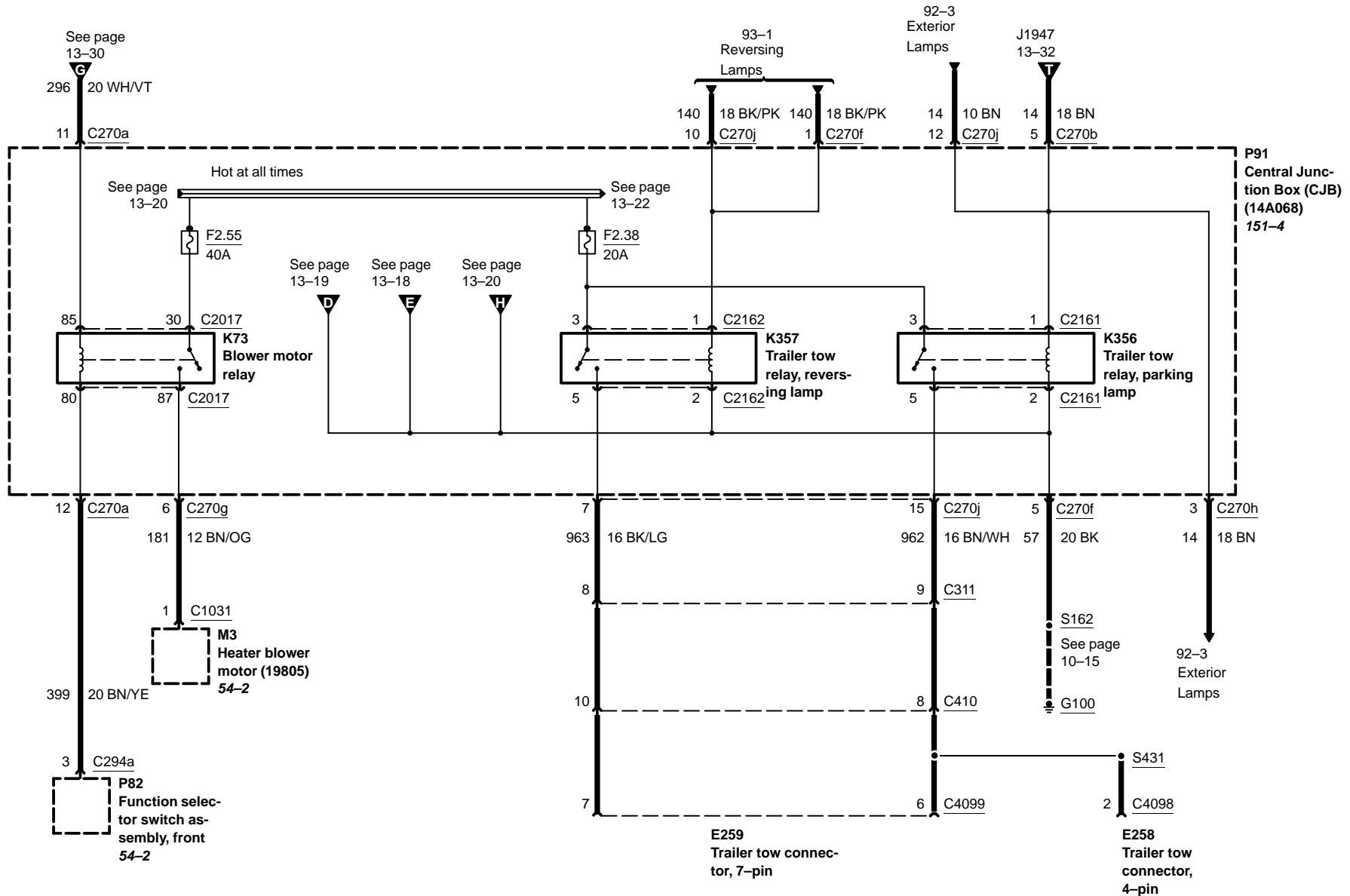


Pickup, F2.6, F2.12, F2.63

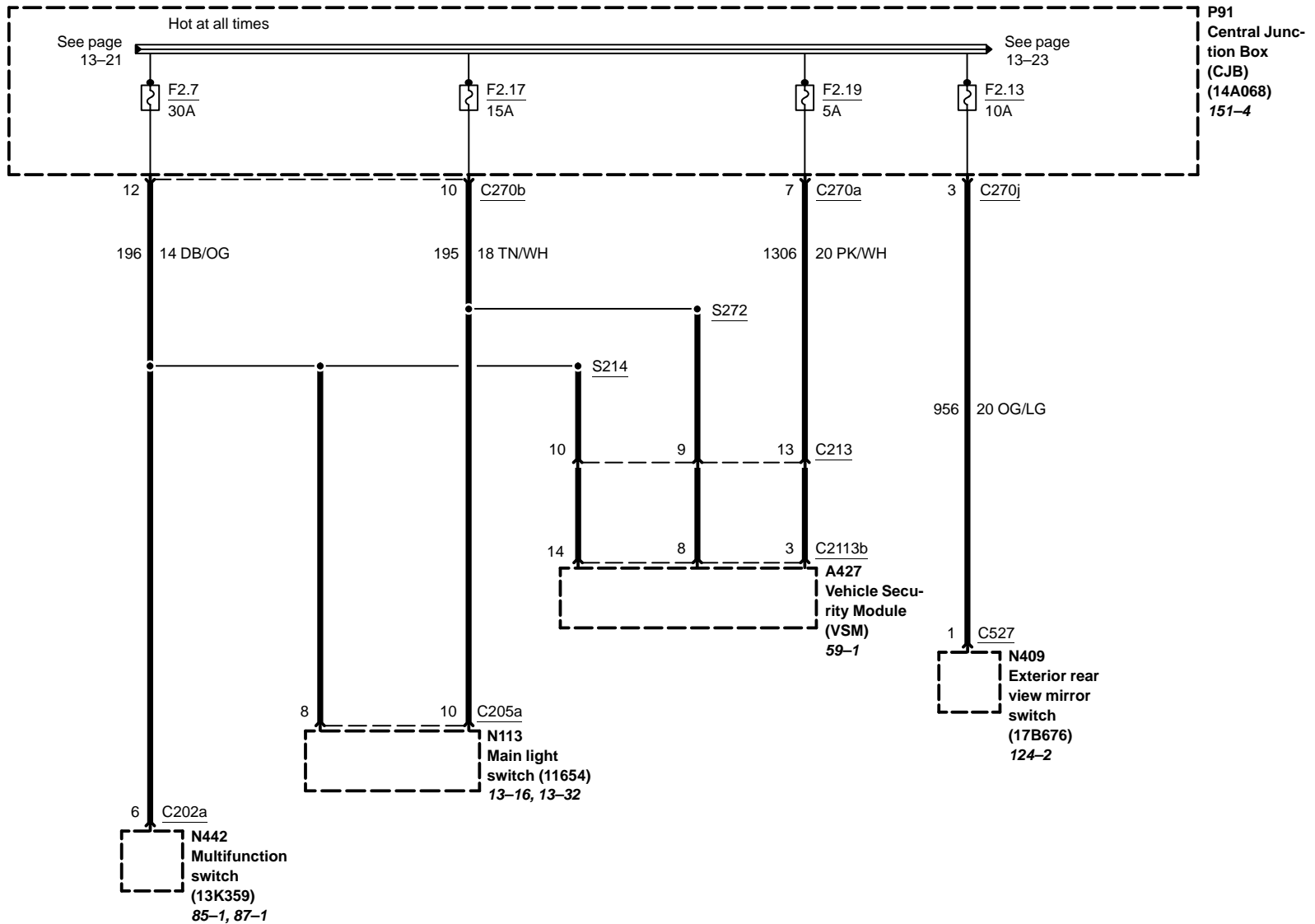


13-21 Power Distribution

Pickup, F2.38, F2.55

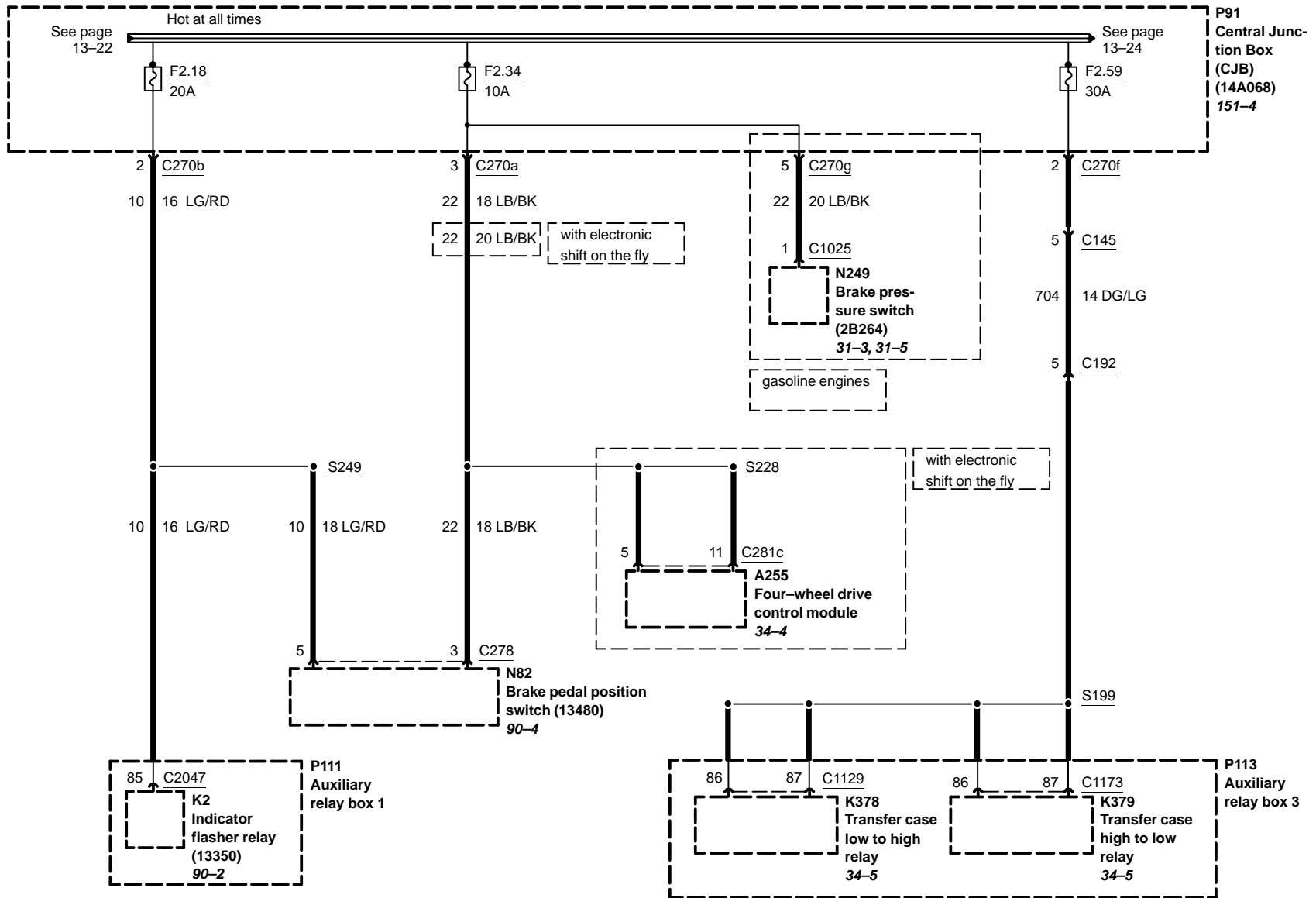


Pickup, F2.7, F2.13, F2.17, F2.19

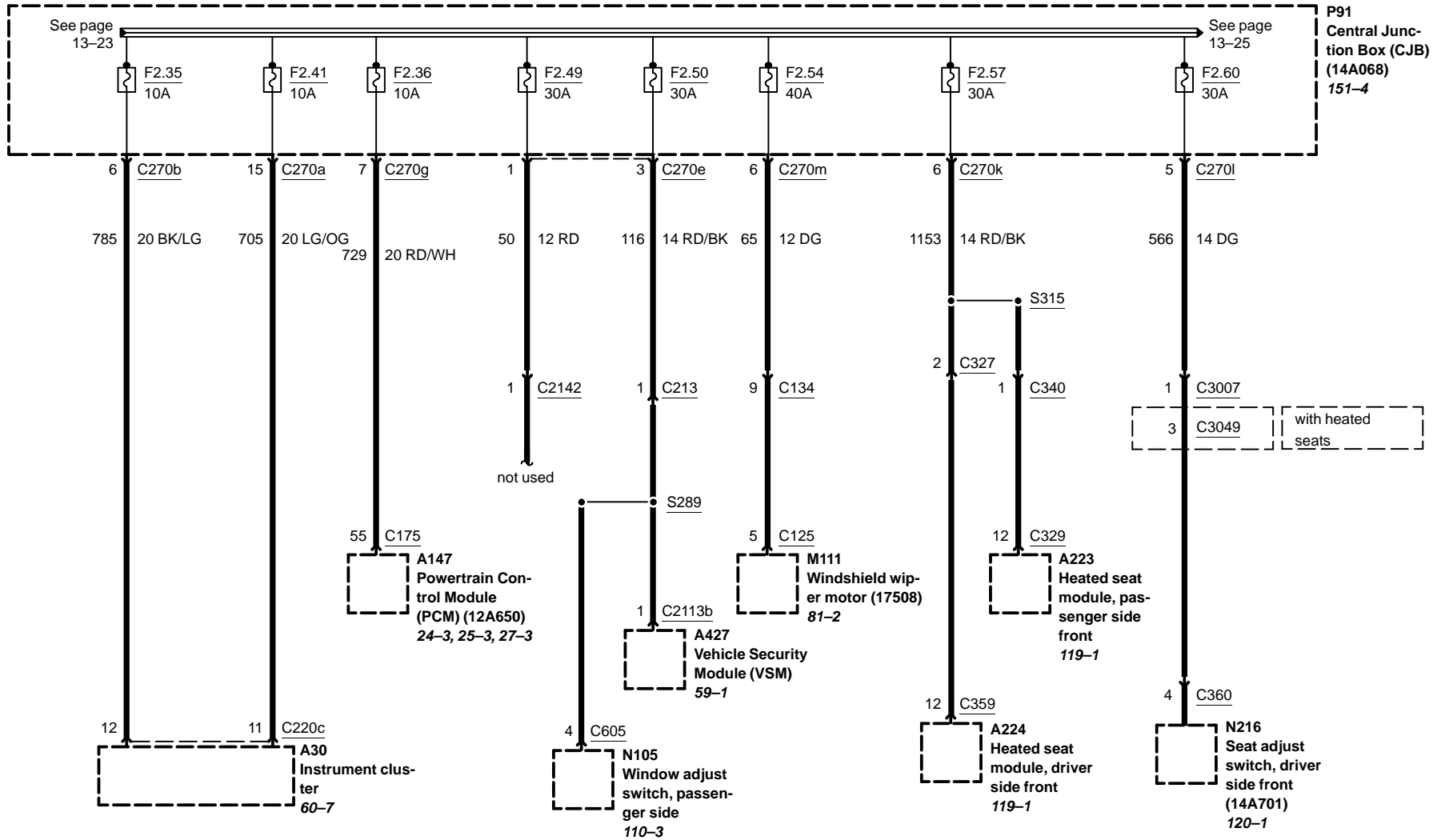


13-23 Power Distribution

Pickup, F2.18, F2.34, F2.59

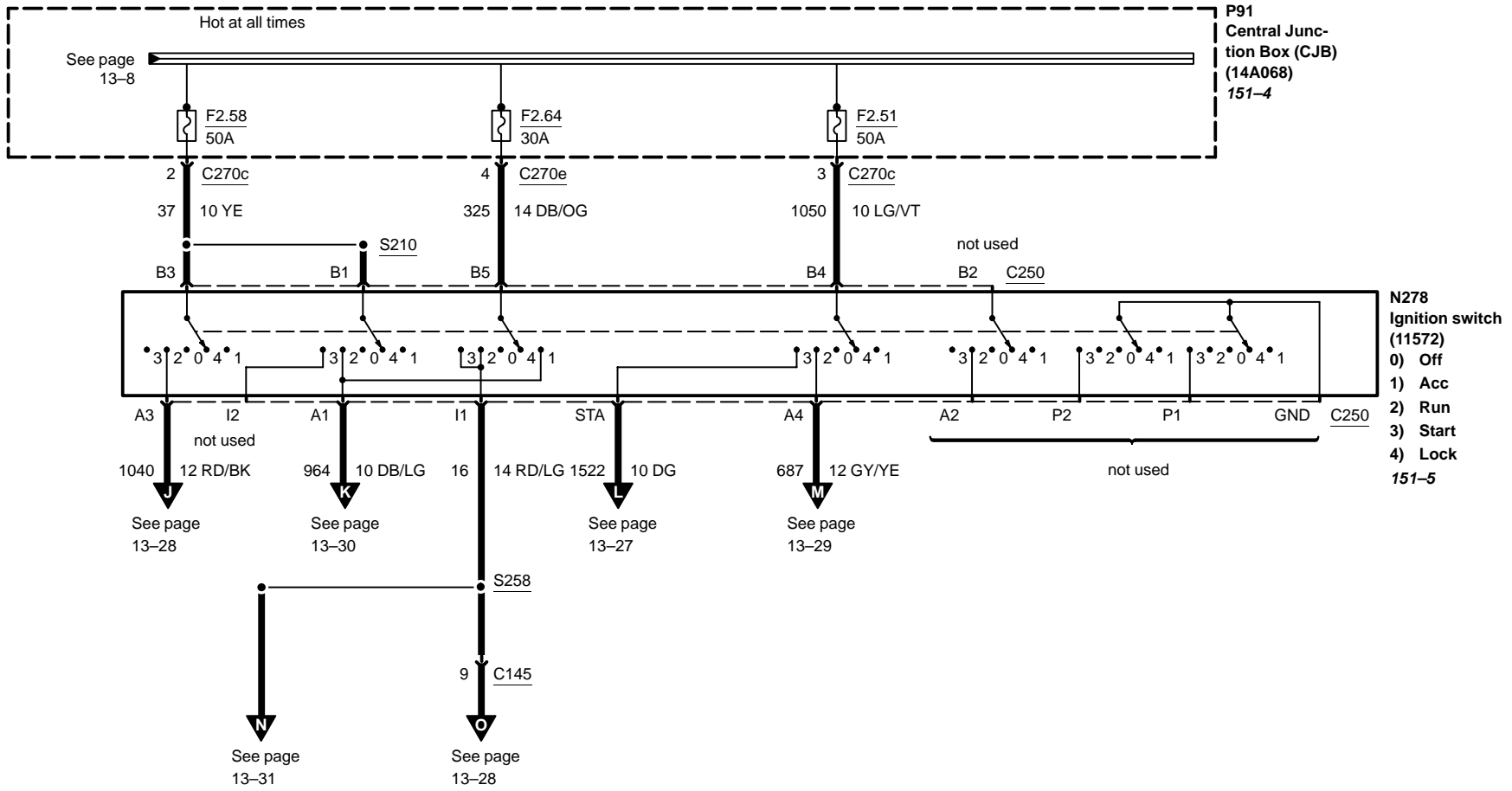


Pickup, F2.35, F2.36, F2.41, F2.49, F2.50, F2.54, F2.57, F2.60

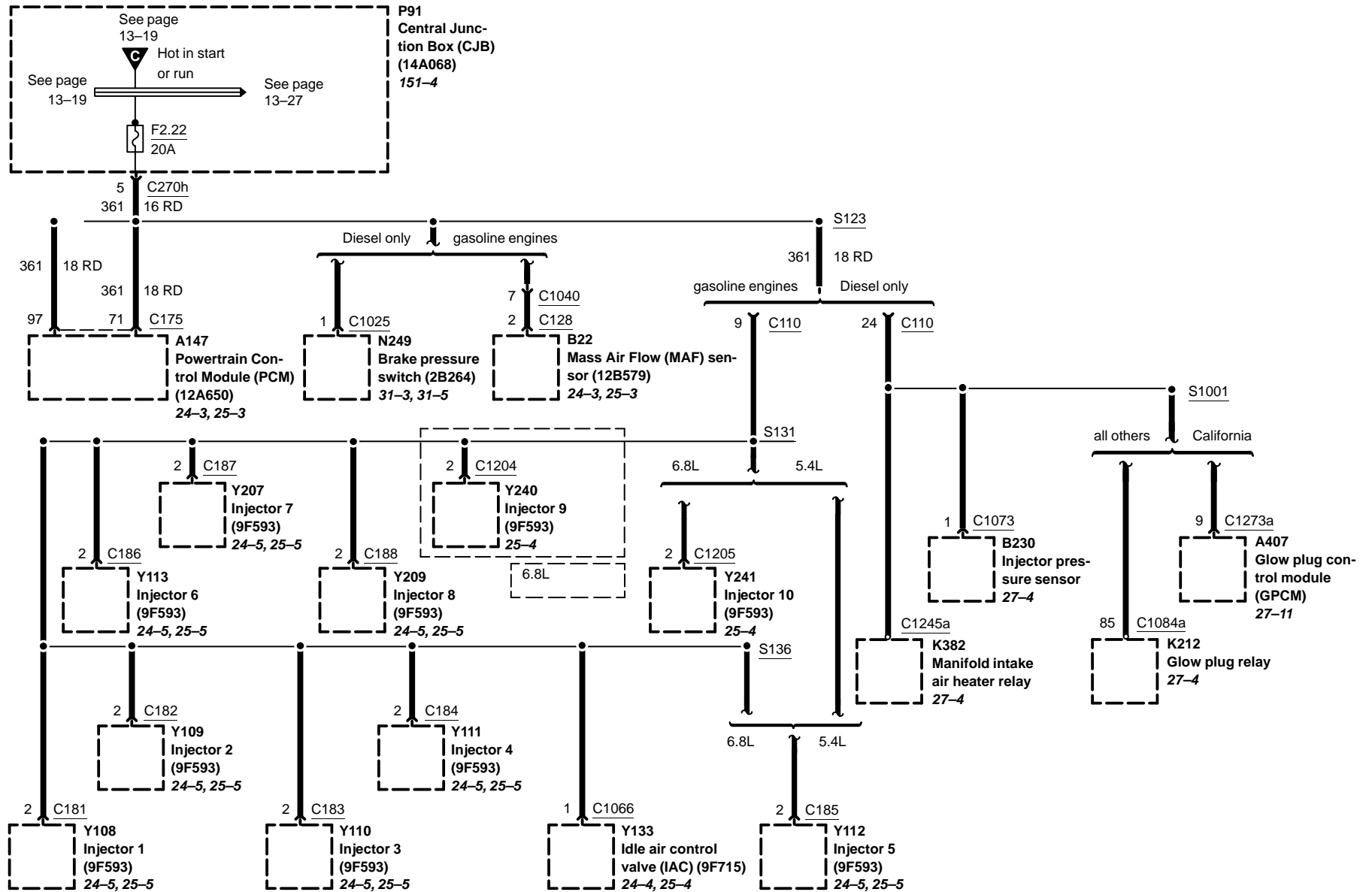


13-25 Power Distribution

Pickup, F2.51, F2.58, F2.64

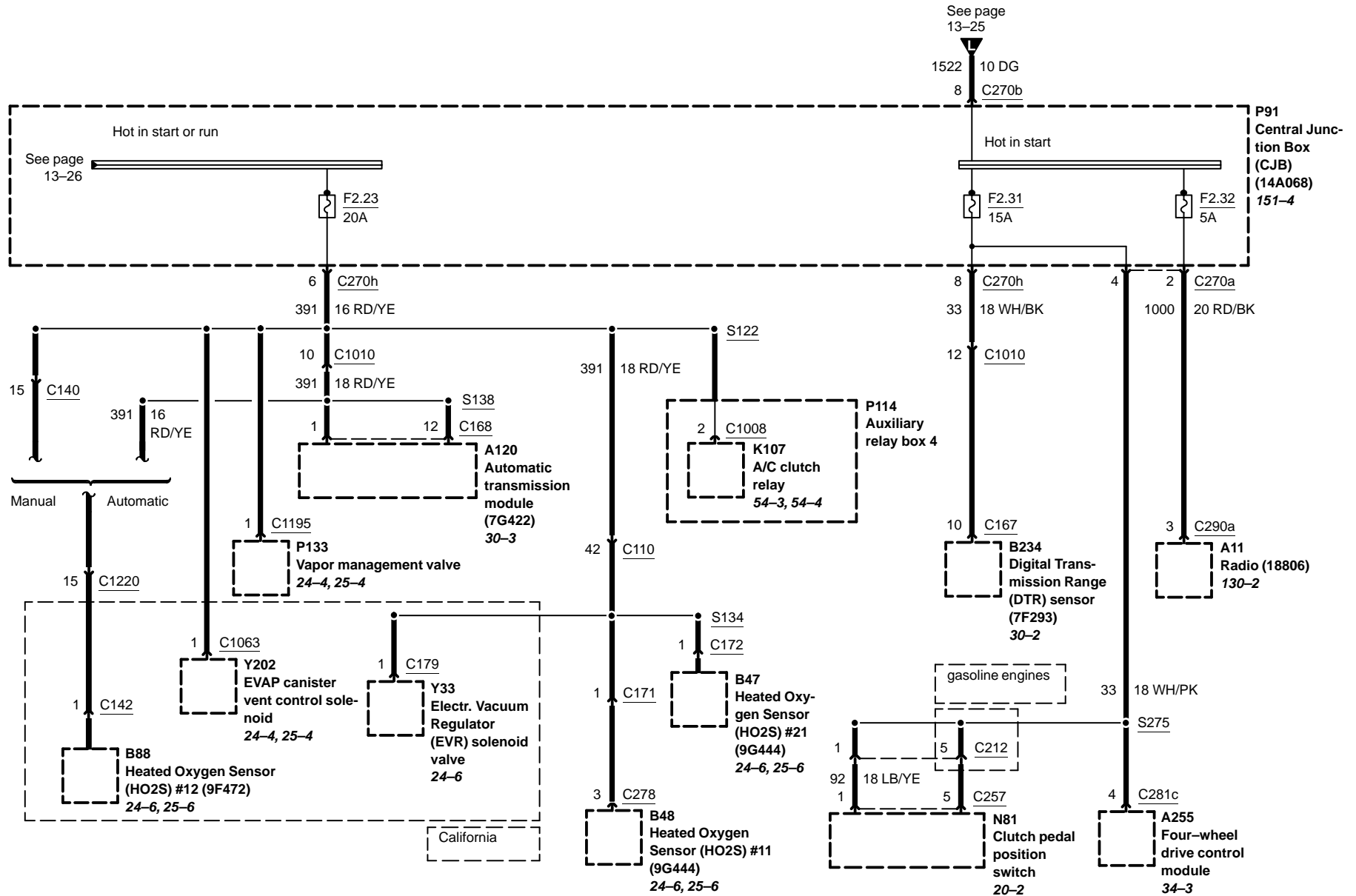


Pickup, F2.22

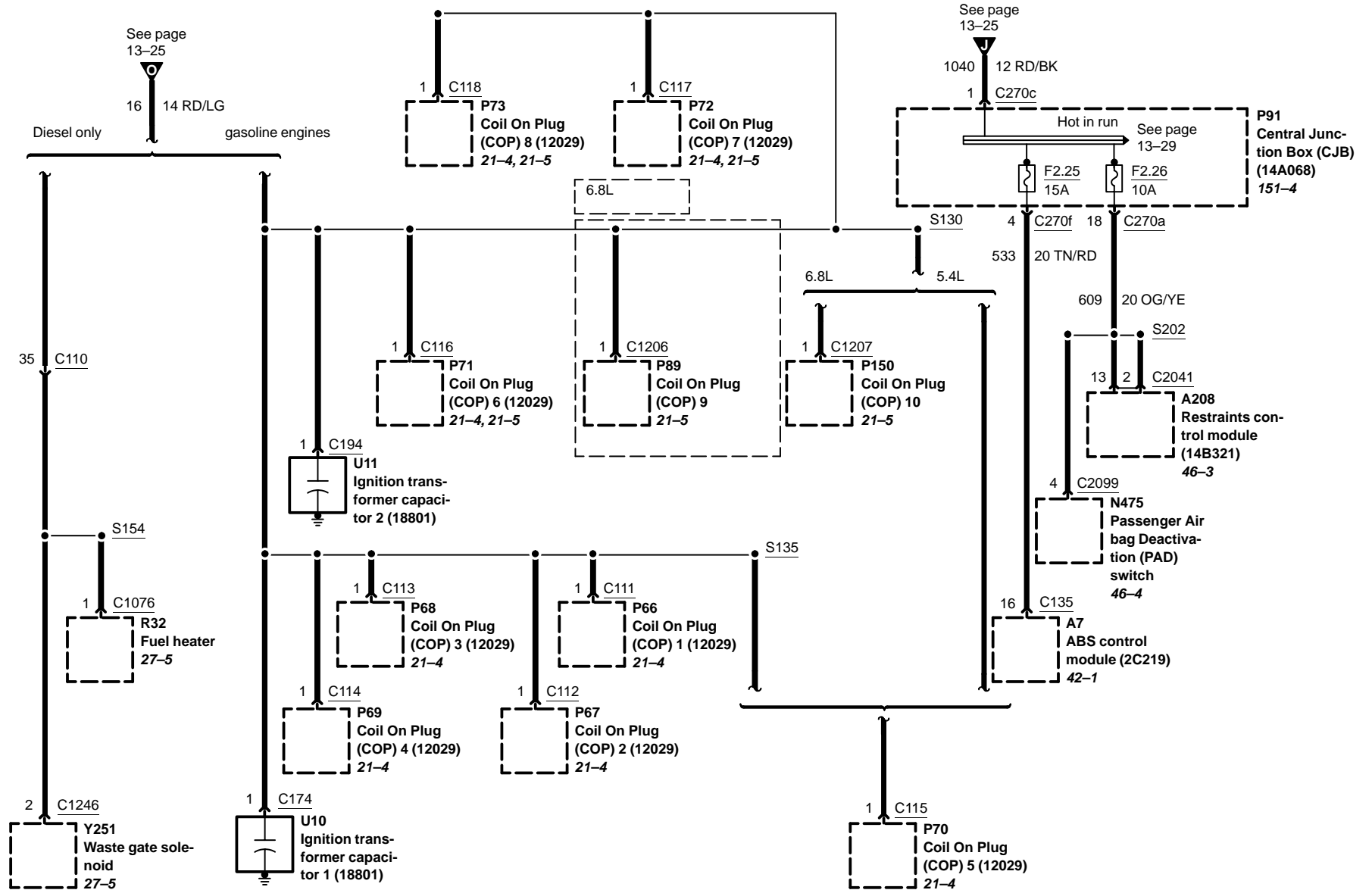


13-27 Power Distribution

Pickup, F2.23, F2.31, F2.32

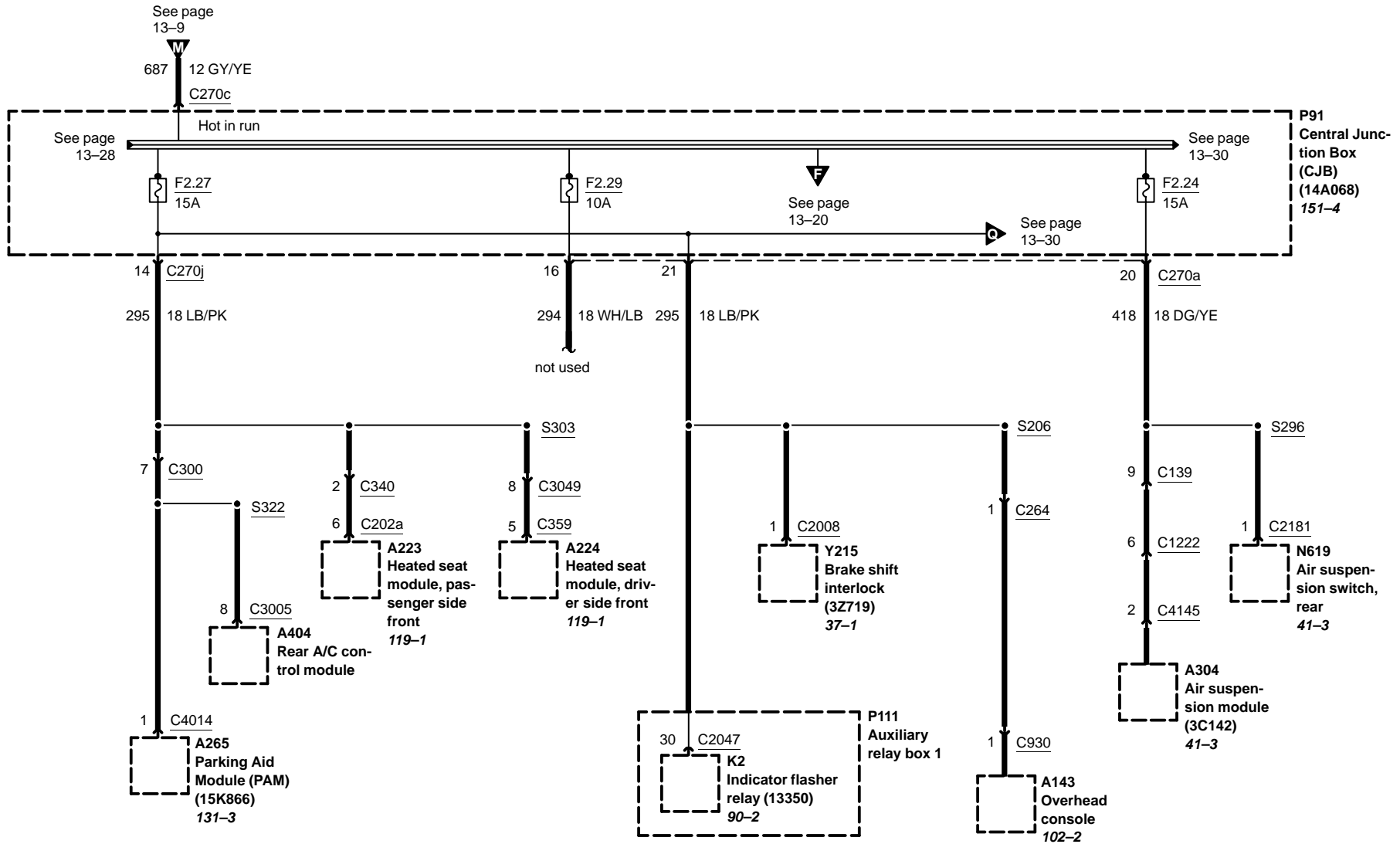


Pickup, F2.25, F2.26

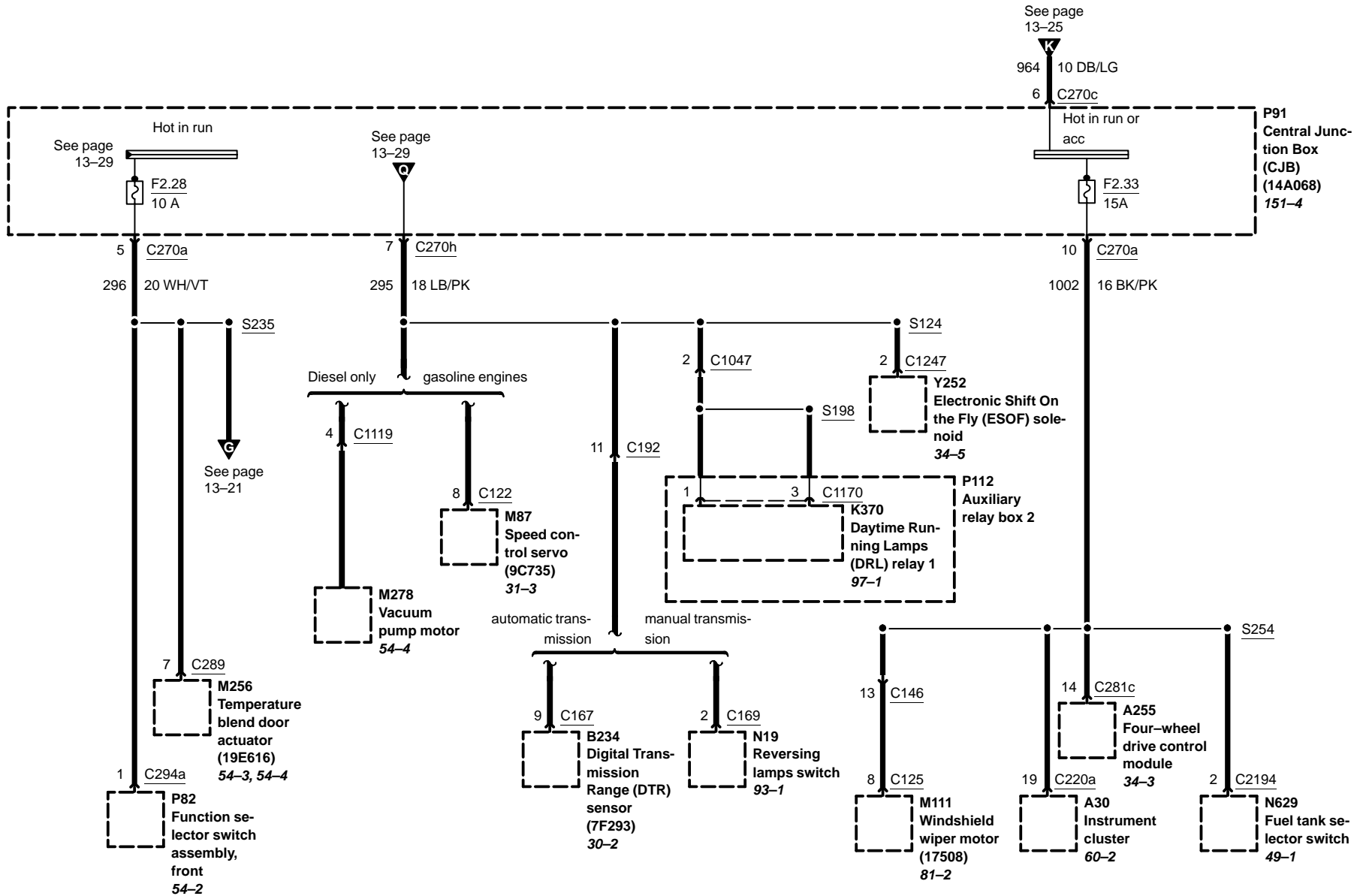


13-29 Power Distribution

Pickup, F2.27, F2.29

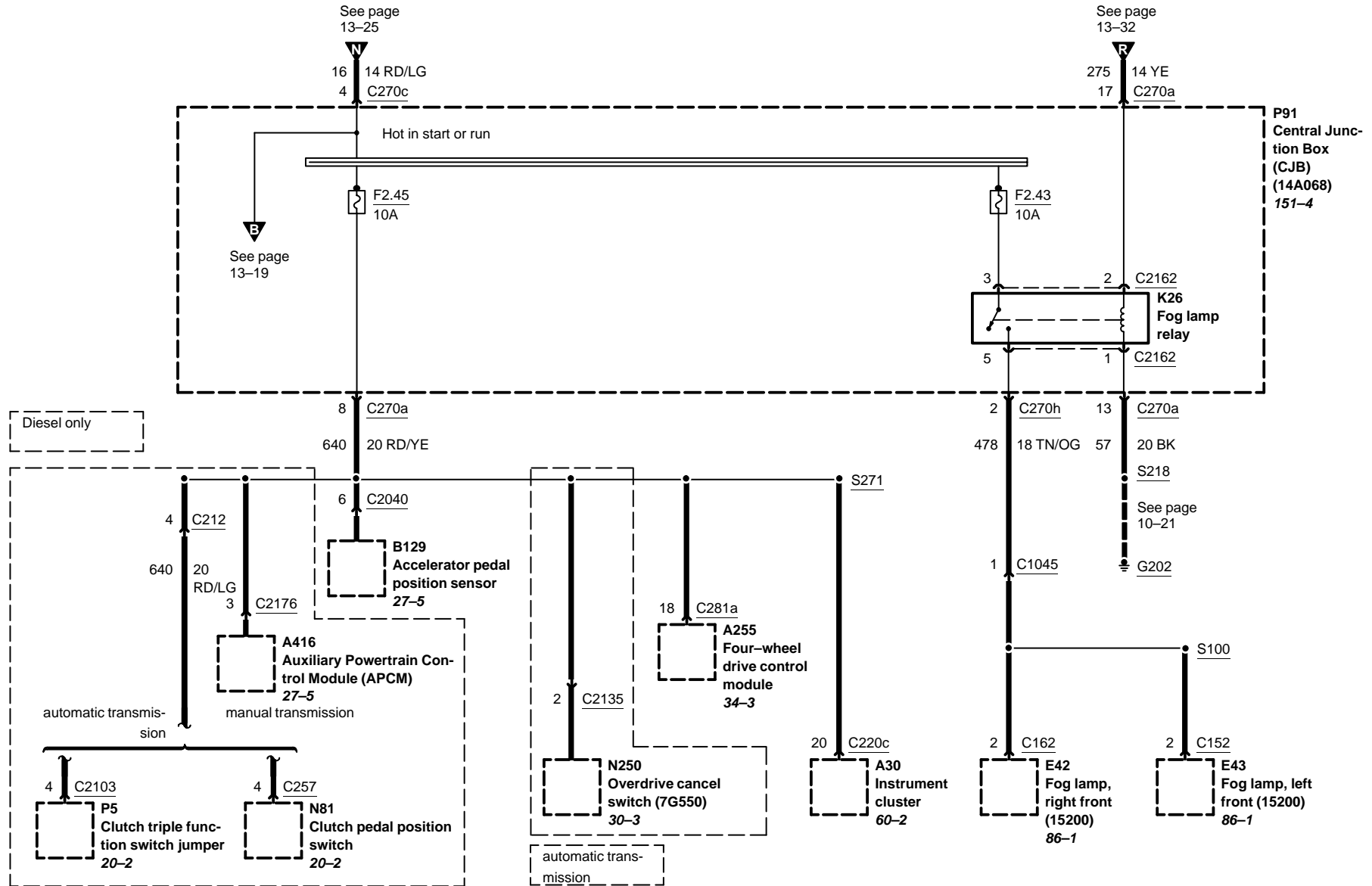


Pickup, F2.28, F2.33, F2.49



13-31 Power Distribution

Pickup, F2.43, F2.45



Pickup, F2.7, F2.17

